

AMPHENOL PART NUMBER CONFIGURATION:

U65 - X XX - X X 2 XXX

INFINITY  
RECEPTACLE

STYLE

B = R/A SMT, 2 LOCATION  
AND 2 SOLDERING POSTS

E = R/A SMT, 2 LOCATION  
AND 2 SCREW MOUNT HOLES

CONNECTOR TYPE

04 = 4X

12 = 12X

PLATING

1 = 50μ" GOLD

2 = 30μ" GOLD

3 = GOLD FLASH OVER  
PALLADIUM-NICKEL (LEAD FREE)

4 = 50μ" GOLD (RoHS COMPLIANT)

5 = 30μ" GOLD (RoHS COMPLIANT)

JACK SCREW OPTION

0 = SHIPPED LOOSE (REGULAR SCREW)

1 = SHIPPED LOOSE (SELF-LOCKING SCREW)

2 = NO JACK SCREW (ORDER SEPERATELY)

PACKAGING/SPECIAL

NO DIGIT = TRAY PACKAGING  
NO REAR COVER

C = TRAY PACKAGING  
WITH REAR COVER (SHIPPED LOOSE)

T = TAPE & REEL PACKAGING  
NO REAR COVER

CT = TAPE & REEL PACKAGING  
WITH REAR COVER (SHIPPED LOOSE)

M = TRAY PACKAGING WITH M2 RETENTION  
SCREWS (SHIPPED LOOSE) AND NO REAR COVER

CM = TRAY PACKAGING WITH M2 RETENTION  
SCREWS AND REAR COVER (SHIPPED LOOSE)

MT = TAPE & REEL PACKAGING WITH M2 RETENTION  
SCREWS (SHIPPED LOOSE) AND NO REAR COVER

CMT = TAPE & REEL PACKAGING WITH M2 RETENTION  
SCREWS AND REAR COVER (SHIPPED LOOSE)

KEYING OPTION

0 = NO KEYING (STD)

MOUNTING STYLE

SCREW LOCK

REVISIONS			
SYM	ZONE	ECN, ERN NO.	DATE APPRD.
B		EAR # 12705	2005/03/23
C		PROPOSAL	2006/01/06

THIS IS A CAD DRAWING. DO NOT MANUALLY REVISE.

1. MATERIAL:

PLASTIC HOUSING:

HIGH TEMPERATURE RESISTANT NYLON, FLAMMABILITY RATING UL94V-0.

CONTACTS:

PHOSPHOR BRONZE

PLATING OPTION (50μ" OR 30μ" GOLD):

50μ" [1.27 μm] OR 30μ" [0.76 μm] MIN. GOLD OVER 50μ" [1.27 μm] MIN. NICKEL ON CONTACT

MATING SURFACES. 150μ" [3.81 μm] MIN. TIN-LEAD (90/10) OVER 50μ" [1.27 μm] NICKEL ON CONTACT TAILS.

PLATING OPTION (GOLD FLASH OVER PALLADIUM-NICKEL):

2μ" [0.05 μm] MIN. GOLD OVER 25μ" [0.635 μm] MIN. PALLADIUM-NICKEL ON CONTACT MATING

SURFACES. 0.3μ" [0.007 μm] MIN. GOLD OVER 1.2μ" [0.03 μm] MIN. PALLADIUM-NICKEL ON CONTACT TAILS. 50μ" [1.27 μm] MIN. NICKEL UNDER PLATING.

PLATING OPTION (RoHS) (50μ" OR 30μ" GOLD):

50μ" [1.27 μm] OR 30μ" [0.76 μm] MIN. GOLD OVER 50μ" [1.27 μm] MIN. NICKEL ON CONTACT

MATING SURFACES. 2μ" [0.05 μm] MIN. GOLD OVER 50μ" [1.27 μm] MIN. NICKEL ON CONTACT TAILS.

METAL SHELL:

DIE CASTING ALLOY

PLATING:

100μ" [2.54 μm] MIN. NICKEL OVER COPPER UNDER LAYER

GASKET:

STAINLESS STEEL

JACK SCREW:

STEEL

PLATING:

100μ" [2.54 μm] MIN. NICKEL OVER ALL

RECOMMENDED TORQUE: 4-4.5 IN LB.

RETENTION SCREWS:

STEEL WITH ZINC PLATING

2. TEMPERATURE RANGE:

-40°C TO +85°C

DRAWN	L.DENG	DATE	2005/01/24
DESIGNED			
CHECKED	J.SI	DATE	2005/01/26
I. E. APPRD.			
Q. A. APPRD.			
DWG. APPRD.			
ENG. REL. NO.			
REF.	EAR # 12636		
DIMENSIONS ARE IN	CODE ID. NO.		
INCHES [mm]	03554		

Amphenol Canada Corp.

TITLE

INFINITY 4X/12X RECEPTACLE, SCREW LOCK  
STYLE, FIXED BOARD, RIGHT ANGLE SMT

DWG	DRAWING NO.	REV.
A	P-U65-XXX-XX2XXX	C
SCALE	2/1	WT. _____ SURF. _____ SHEET 1 OF 4

THIS DOCUMENT CONTAINS PROPRIETARY INFORMATION AND SUCH INFORMATION  
MAY NOT BE DISCLOSED TO OTHERS FOR ANY PURPOSE OR USED FOR MANUFACTURING  
PURPOSES WITHOUT WRITTEN PERMISSION FROM AMPHENOL CANADA CORP.

A

B

C

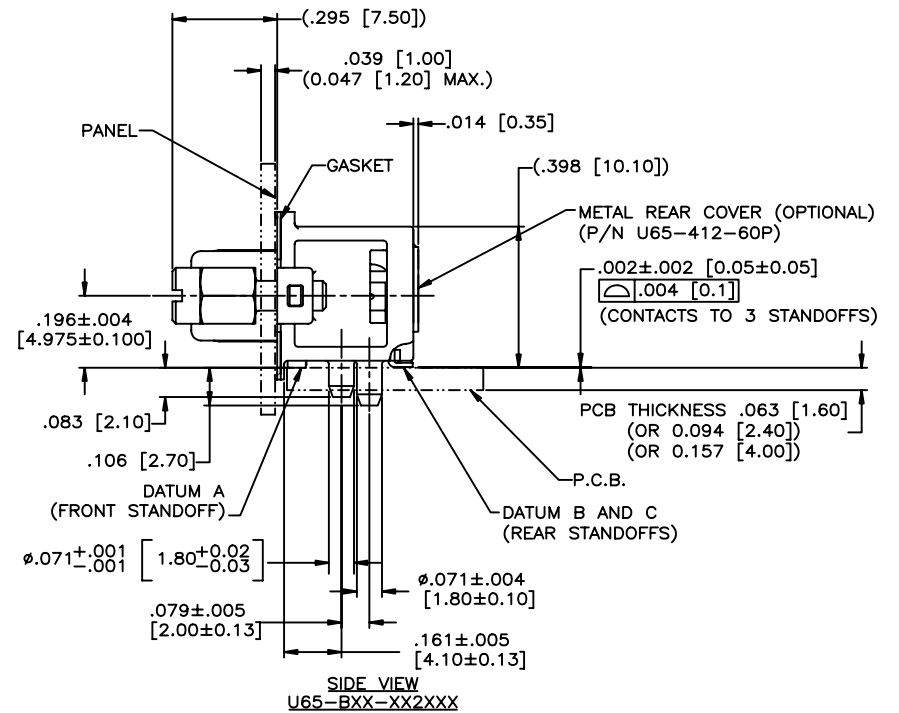
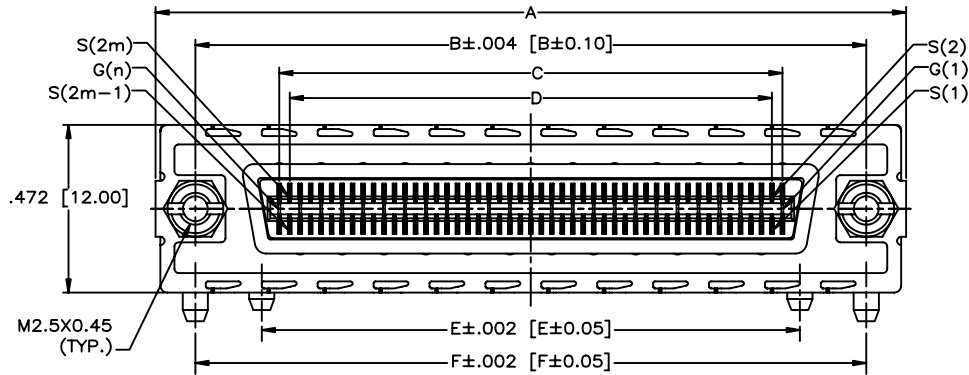
D

E

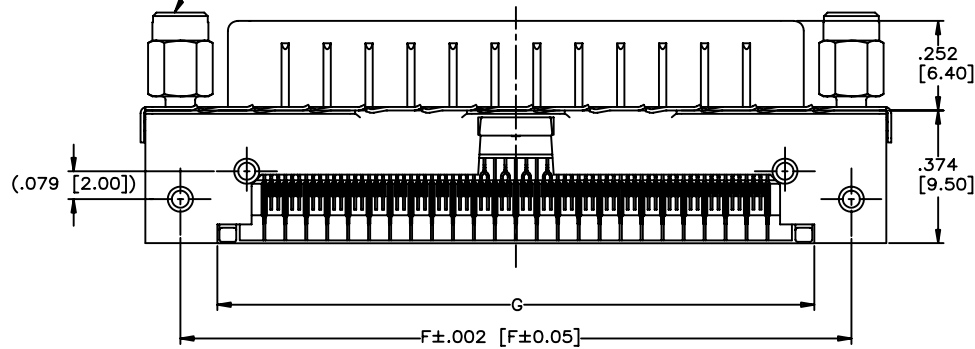
F

REVISIONS				
SYM	ZONE	ECN, ERN NO.	DATE	APPRD.
B		EAR # 12705	2005/03/23	
C		PROPOSAL	2006/01/06	

THIS IS A CAD DRAWING. DO NOT MANUALLY REVISE.



JACK SCREWS (SHIP LOOSE)  
(U65-404-40-P, REGULAR SCREW,  
U65-404-41-P, SELF-LOCKING SCREW)  
RECOMMENDED TORQUE: 4-4.5 IN LB



PART NUMBER	U65-X04-XX2XXX	U65-X12-XX2XXX
A	1.169 [29.70]	2.114 [53.70]
B	.945 [24.00]	1.890 [48.00]
C	.472 [12.00]	1.417 [36.00]
D	.413 [10.50]	1.358 [34.50]
E	.571 [14.50]	1.516 [38.50]
F	.945 [24.00]	1.890 [48.00]
G	.736 [18.70]	1.681 [42.70]
H	1.063 [27.00]	2.008 [51.00]
K	.776 [19.70]	1.720 [43.70]
m	m = 1 - 8	m = 1 - 24
n	n = 1 - 9	n = 1 - 25

\*\* REFER TO [mm] AS PRIMARY DIMENSIONS.

DRAWN	L.DENG	DATE	2005/01/24
DESIGNED			
CHECKED	J.SI	DATE	2005/01/26
I. E. APPRD.			
Q. A. APPRD.			
DWG. APPRD.			
ENG. REL. NO.			
REF.	EAR # 12636		
DIMENSIONS ARE IN	INCHES [mm]	CODE ID. NO.	03554

Amphenol Canada Corp.

TITLE  
INFINITY 4X/12X RECEPTACLE, SCREW LOCK  
STYLE, FIXED BOARD, RIGHT ANGLE SMT

DWG. A DRAWING NO. P-U65-XXX-XX2XXX REV. C

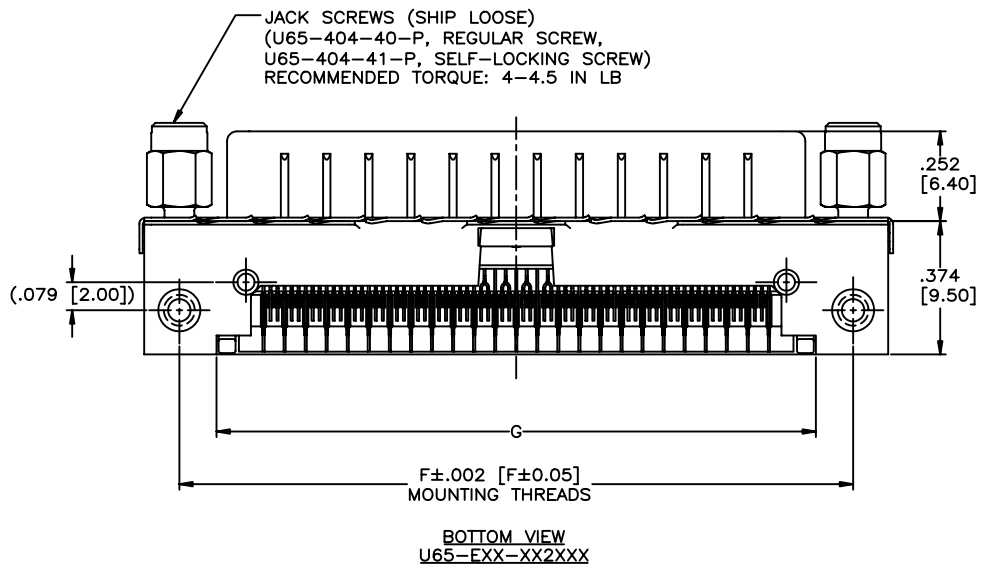
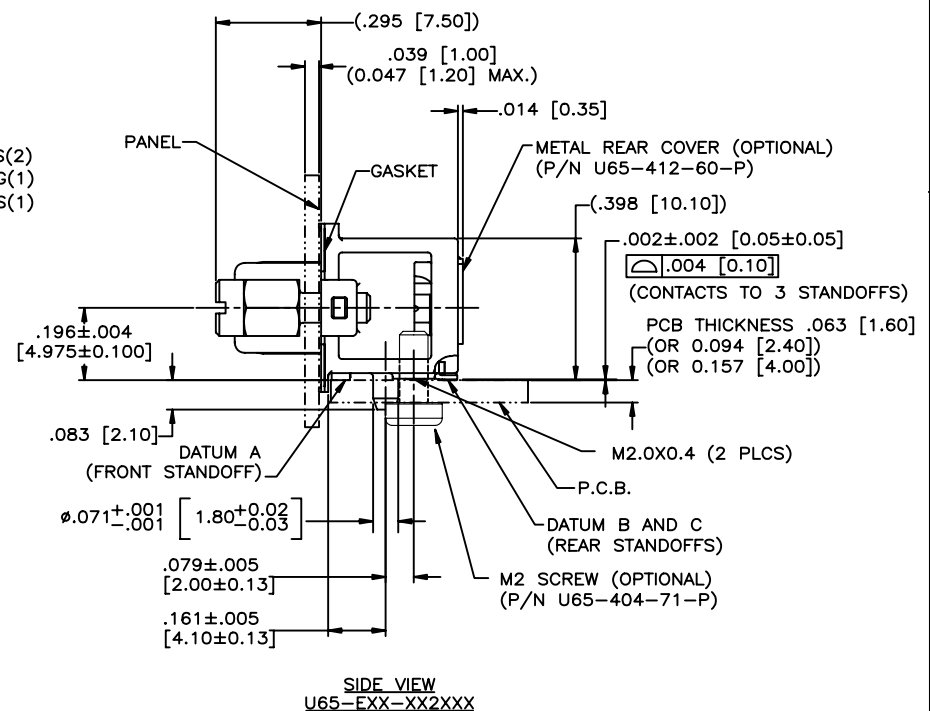
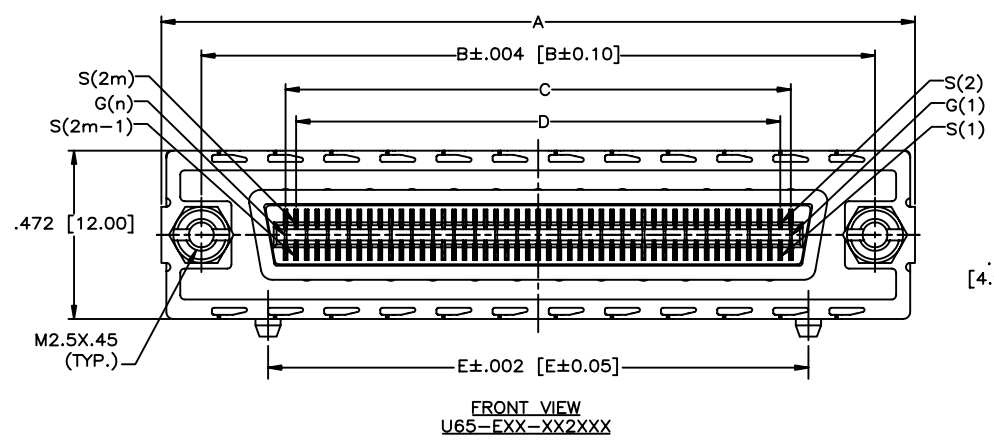
SCALE 2/1 WT. SURF. SHEET 2 OF 4

THIS DOCUMENT CONTAINS PROPRIETARY INFORMATION AND SUCH INFORMATION  
MAY NOT BE DISCLOSED TO OTHERS FOR ANY PURPOSE OR USED FOR MANUFACTURING  
PURPOSES WITHOUT WRITTEN PERMISSION FROM AMPHENOL CANADA CORP.

A B C D E F

REVISIONS				
SYM	ZONE	ECN, ERN NO.	DATE	APPRD.
B		EAR # 12705	2005/03/23	
C		PROPOSAL	2006/01/06	

THIS IS A CAD DRAWING. DO NOT MANUALLY REVISE.



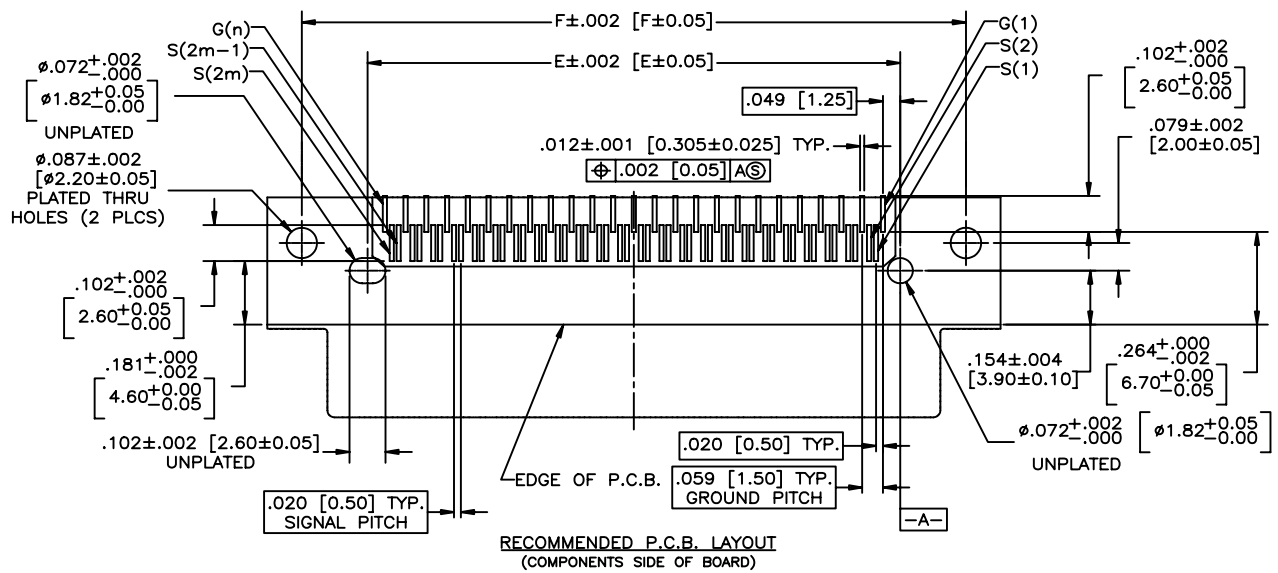
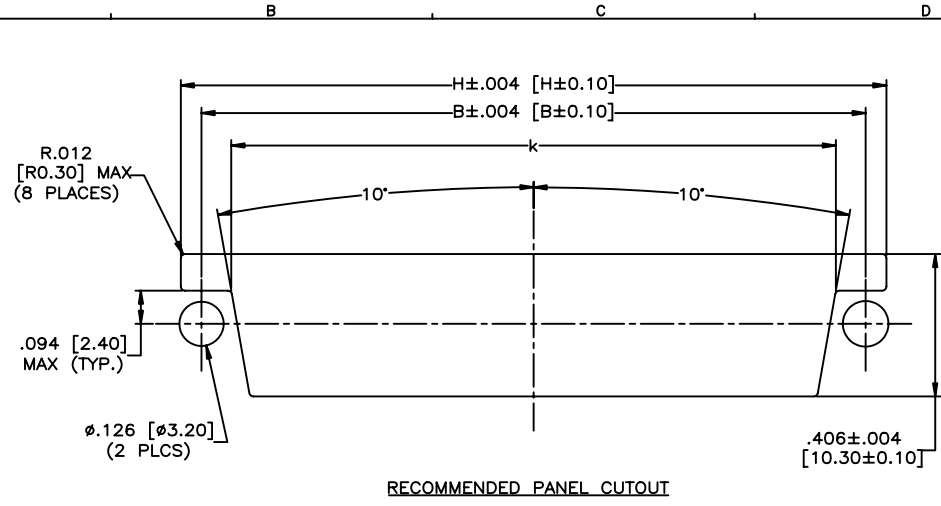
\*\* REFER TO [mm] AS PRIMARY DIMENSIONS.

DRAWN	L.DENG	DATE	2005/01/24	Amphenol Canada Corp.	
DESIGNED					
CHECKED	J.SI	DATE	2005/01/28		
I. E. APPRD.					
Q. A. APPRD.				TITLE	
DWG. APPRD.				INFINITY 4X/12X RECEPTACLE, SCREW LOCK STYLE, FIXED BOARD, RIGHT ANGLE SMT	
ENG. REL. NO.		DWG.	DRAWING NO.	P-U65-XXX-XX2XXX	REV.
REF. EAR # 12636		A			C
DIMENSIONS ARE IN INCHES [mm]	03554	SCALE	2/1	WT.	SURF.
					SHEET 3 OF 4

THIS DOCUMENT CONTAINS PROPRIETARY INFORMATION AND SUCH INFORMATION MAY NOT BE DISCLOSED TO OTHERS FOR ANY PURPOSE OR USED FOR MANUFACTURING PURPOSES WITHOUT WRITTEN PERMISSION FROM AMPHENOL CANADA CORP.

REVISIONS				
SYM	ZONE	ECN, ERN NO.	DATE	APPRD.
B		EAR # 12705	2005/03/23	
C		PROPOSAL	2006/01/06	

THIS IS A CAD DRAWING. DO NOT MANUALLY REVISE.



\*\* REFER TO [mm] AS PRIMARY DIMENSIONS.

DRAWN	L.DENG	DATE	2005/01/24	<b>Amphenol Canada Corp.</b>  TITLE INFINITY 12X RECEPTACLE, SCREW LOCK STYLE, FIXED BOARD, RIGHT ANGLE SMT	REV.
DESIGNED					
CHECKED	J.SI	DATE	2005/01/26		
I. E. APPRD.					
Q. A. APPRD.					
DWG. APPRD.					
ENG. REL. NO.		DWG	A	DRAWING NO.	P-U65-XXX-XX2XXX
REF.	EAR # 12636				
DIMENSIONS ARE IN		CODE ID. NO.	03554	SCALE	2/1
INCHES [mm]				WT.	-----
				SURF.	-----
				SHEET	4 OF 4

THIS DOCUMENT CONTAINS PROPRIETARY INFORMATION AND SUCH INFORMATION MAY NOT BE DISCLOSED TO OTHERS FOR ANY PURPOSE OR USED FOR MANUFACTURING PURPOSES WITHOUT WRITTEN PERMISSION FROM AMPHENOL CANADA CORP.